

BHM8D and BHM8DT



Rugged Labor Saving Equipment Since 1995



OPERATION & PARTS MANUAL

Please read these instructions carefully before using! Always grease all fittings and be sure to always check and fill with oil before operating! Retain this manual for future reference.



Betstco
83371 Melton Rd., Creswell OR 97426

Phone: 541-895-3083
www.betstco.com

Specifications subject to change without notice.

CONTENTS

INTRODUCTION:	3
1.0 SAFETY PRECAUTIONS:	4
1.1 Safety:	4
1.2 Safety Precautions:	4
2.0 SAFETY DECALS:	6
3.0 SPECIFICATION:	9
4.0 TRACTOR PREPARATION:	10
5.0 BACKHOE OPERATION:	11
5.1 Backhoe Operation Cautions:	12
5.2 Initial Backhoe Operation:	12
5.3 Cold Weather Operation:	13
5.4 Backhoe Hydraulic Controls:	14
5.5 Traveling and Boom Lock:	15
5.6 Traveling Stabilizer Clip Locks:	15
6.0 BACKHOE ASSEMBLY AND MOUNTING:	16
6.1 Connection:	17
7.0 LUBRICATION AND MAINTENANCE:	18
8.0 TROUBLE SHOOTING:	20
9.0 BACKHOE PARTS ASSEMBLIES:	24
9.1 Bucket Assembly:	25
9.2 Front Arm Assembly:	26
9.3 Main Boom Assembly:	27
9.4 Swing Joint Assembly:	28
9.5 Operation Panel Assembly:	29
9.6 Support Leg Assembly:	31
9.7 Seat Assembly:	32
9.8 Boom Cylinder Assembly:	33
10.9 Control Valve Assembly:	35
10.0 Hydraulic Thumb:	36
PARTS REQUEST FORM:	37
WARRANTY:	38

INTRODUCTION

The purpose of this manual is to assist you in maintaining and operating your Value Leader backhoe.

Read the entire manual carefully before operating, it provides information and instructions that will help you achieve years of reliable performance.

Some information may be general in nature due to unknown and varying conditions. However, through experience and these instructions, you should be able to develop operating procedures suitable to your particular situation.

"Right" and "Left" as used throughout this manual are determined by operator in backhoe seat position is facing when in use.

The photos, illustrations and data used in this manual are current at the time of printing, but due to possible in-line production changes, your machine may vary slightly in detail. The manufacturer reserves the right to redesign the machine as may be necessary without notification.

Important

Illustrations used in this manual may not show all safety equipment that is recommended to ensure safe operation of tractor and backhoe. Refer to the Safety Precautions section of this manual for information concerning safety, consult your dealer for further information.

Serial Number and Location

The serial and model number is important information about the machine and it may be necessary to know it before obtaining the correct replacement part. The identification plate is located on the right side of control console.

Support Contact Information

First contact the company you purchase from. If they cannot help you, warranty covered and non warranty covered support is available at Betst Products, llc, support department. Available by phone or email. Open M-F 8 am - 5 pm PST. Email support@betstproducts.com or by phone at 1-541-895-3083.

SAFETY PRECAUTIONS


1.1 SAFETY

Understand that your safety and the safety of other persons is measured by how you service and operate this Backhoe.

Know the position and operations of all controls before you operate. Make sure you check all controls in safe area before starting.

Read this manual completely and thoroughly and make sure you understand all controls. All equipment has a limit. Make sure you are aware of the stability and load characteristics of this Backhoe before you begin operation.

The Safety Information given in this manual does not replace any safety codes, insurance needs, federal, state and local laws. Make sure your machine has the correct equipment required by your local laws and regulations.

 *This safety alert symbol indicates important safety messages in this manual. When you see this symbol, carefully read the message that follows and be alert to the possibility of personal injury or death.*

1.2 SAFETY PRECAUTIONS

Before starting the engine of your tractor, make sure all operation controls are in park, lock or neutral position.

Operate controls only when seated in the operator's seat.

Equip your tractor with a ROPS cab or frame for your protection. See your tractor operator's manual for correct usage.

A frequent cause of personal injury or death is persons falling off and being run over. Do not permit others to ride on your tractor or backhoe. Only one person, the operator, should be on either machine when they are in operation.

Before leaving the tractor or backhoe, stop the engine, put all controls in neutral, engage the parking brake and remove the key from the ignition.

Operate the Backhoe smoothly when lowering or lifting loads.

Stay off of slopes too steep for safe operation. Shift down before you start up or down a hill with heavy load. Avoid "free wheeling".

SAFETY Precautions

Never use your hand to check for suspected leaks under pressure. Use a piece of cardboard or wood for this purpose. Escaping hydraulic oil or diesel fuel leaking under pressure can have sufficient force to penetrate the skin and cause infection or other injuries. If this happens seek medical attention immediately.

To prevent personal injury, relieve all pressure before disconnecting any fluid lines.

Before applying hydraulic pressure, make sure all hydraulic connections are tight and components are in good condition.

Contact with overhead power lines can cause severe electrical burn or electrocution.

Make sure there is enough clearance between raised equipment and overhead power lines.

Add water to rear tires or rear wheel weights for increased stability.

A backhoe attachment should be transported in a low position at slow ground speeds. Make turns slowly and use the tractor brakes cautiously. A loaded attachment in the raised position alters the center of gravity, location of the machine and increases the possibility of mishaps.

Do not stand, walk or work under a raised backhoe attachment. Accidental movement of a control lever or leak in the hydraulic system could cause the backhoe to drop, or attachment to dump, causing severe injury.

Make sure to always park backhoe on a hard level surface with all safety devices engaged to prevent backhoe from falling and being damaged or injuring someone. Stands may be required.

When using a backhoe, be alert of bucket, boom and arm position at all times.

Only operators who have been specially trained in backhoe operation and fully understand this manual can operate the backhoe.

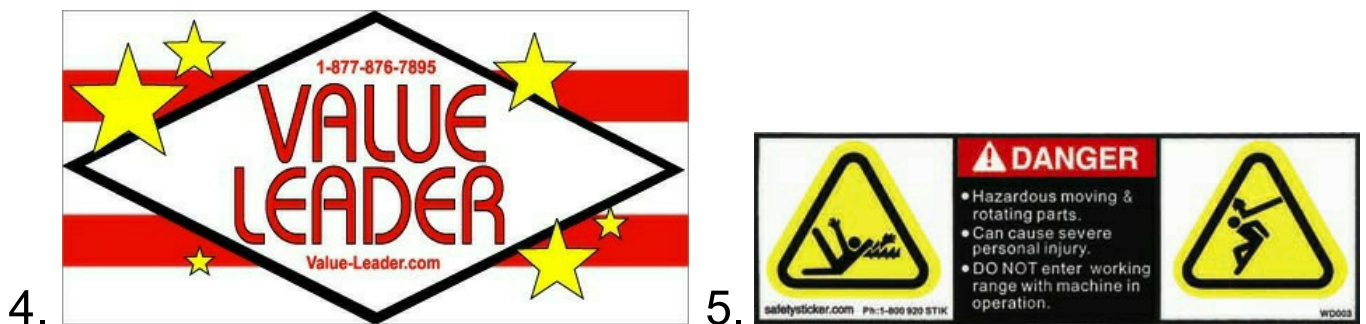
Keep hands, feet and clothing away from all moving parts. Wear close fitting clothing and appropriate safety equipment (Which includes, steel toed shoes, protective gloves, hard hat, safety glasses and dust mask). Prolonged exposure to loud noise can damage hearing. Wear suitable approved hearing protection such as ear muffs or plugs. Operating equipment safely requires your full attention. Do not wear radio or music headphones. Secure hair above shoulder length.

You must be in good physical and mental health to operate the backhoe safely. Do not operate the backhoe when you are ill, fatigued or under the influence of any substance or medication that could affect your vision, coordination or judgment.

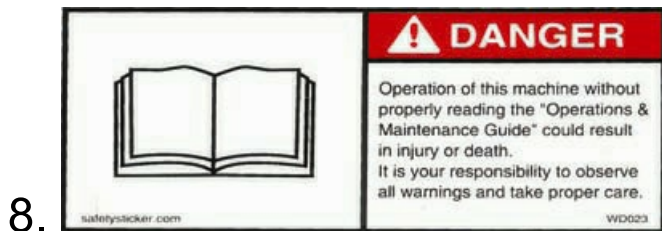
ALWAYS CALL BEFORE YOU DIG!

2. SAFETY DECALS

1. Keep safety decals clean and free of obstructing material
 2. Replace damaged or missing safety decals with new decals.
 3. If a component with a safety decal(s) affixed is replaced with a new part, ensure new safety decal(s) are attached in the same locations on the replacement components.
- Note some decals appear on both sides of backhoe. #'s 1, 2, 5, 6, and 12



2. SAFETY DECALS



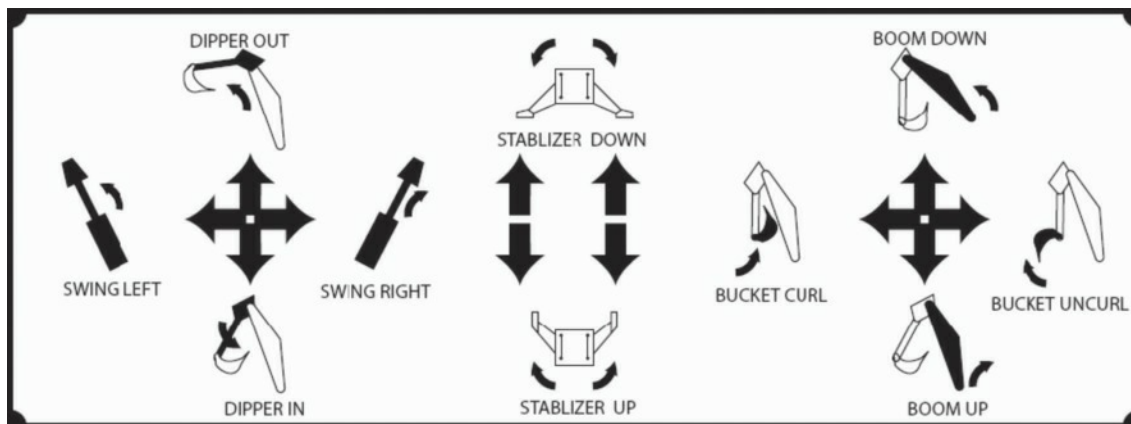

2. SAFETY DECALS

15.

Warning! High Pressure Fluid

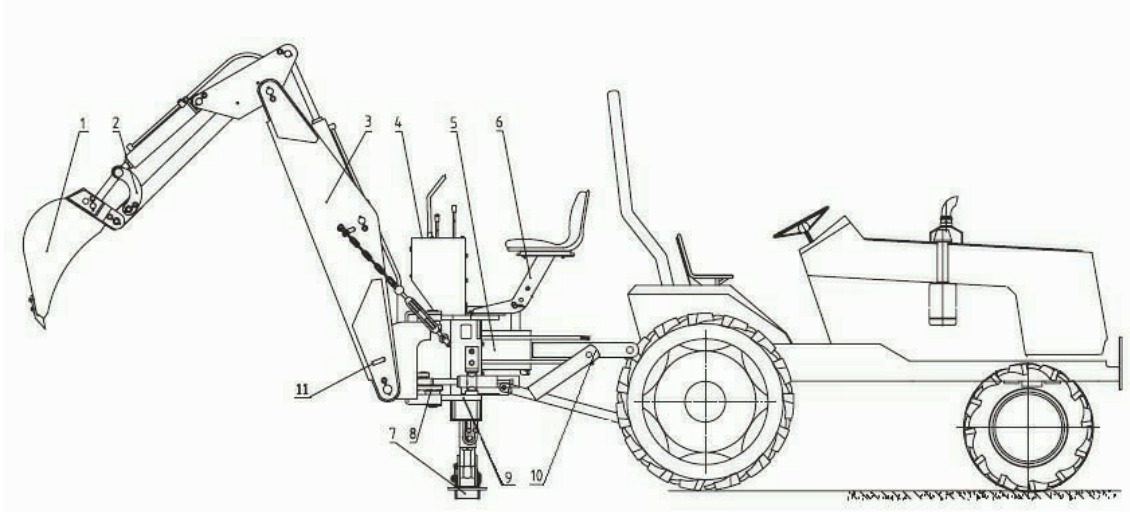
HIGH PRESSURE FLUID HAZARD

- Relieve pressure on hydraulic system before servicing or disconnection hoses.
- Wear proper hand & eye protection when searching for leaks. Use wood or cardboard instead of hands.
- Keep all components in good repair.



To order safety labels please contact Parts Department at 1-541-895-3083 or email parts@betstco.com

3. VALUE-LEADER BHM BACKHOE SPECIFICATION



Backhoe Components

1. Bucket
2. Staff
3. Boom
4. Joystick Controls
5. Hydraulic Tank
6. Seat
7. Stabilizers
8. Swing Cylinders
9. Tower
10. 3-Pt Connections
11. Transport Lock

4. TRACTOR PREPARATION

 **Caution: Do not exceed the manufacturer's rating for maximum gross vehicle weight. Refer to Operator's Manual Dealer, or Manufacture.**

 **Caution: Certain Specific conditions may not permit safe use of backhoe at backhoe rating or may require more careful restricted operation at the rated load.**

4.1 ROPS System

The tractor must be equipped with an approved ROPS System to ensure adequate operator's protection.

4.2 Hydraulic System

The BHM Series Backhoe hydraulic system is powered by the tractor's Rear Remote Hydraulics. Check tractor fluid level daily.

(See Section 5.0 (Lubrication and Maintenance)).

BE SURE TO FOLLOW THE DETAILED STEPS OUTLINED IN ASSEMBLY & MOUNTING BEFORE USING THE BACKHOE!

 **Caution: The tractor / backhoe must only be operated with all safety equipment properly installed**

4.3 Tire Inflation

Front Tires must be maintained at the maximum recommended inflation to maintain normal tire profile with the added weight of backhoe/material.

Rear tires must be maintained at equal pressure within the recommended tire inflation range. Unequal rear tire inflation can prevent backhoe attachment from controlling the ground across its full width.

4.4 Wheel Tread Settings

Tractor front wheel tread setting must be restricted to wheel tread spacing recommended in the tractor Operator's Manual.

4.5 Attachment

Ensure your tractor's 3 point linkage system is fitted with sway chains before attaching the backhoe.

Failure to do this can cause the backhoe to swing when traveling potentially causing bodily injury or machine damage or failure.

Inspect for any worn or damaged parts that are part of the connection between the tractor and backhoe. Replace if necessary with parts of suitable strength and quality.

4.6 Counter Weight

Add recommended ballast (either front weights or front end loader) to tractor's front-end for increased stability. Refer to tractor operator' manual for specific recommendations on counter weighting tractor.

5. BACKHOE OPERATION

 **CAUTION: The tractor/backhoe should only be operated with all safety equipment properly installed. Keep assistants or bystanders at a safe distance from the equipment operating area.**

5.1 Precautionary Notes:

- Read and understand this manual to avoid accidents.
- Check the hydraulic fitting lines to be correct and set tightly.
- Maintain and repair (if it is needed) the parts or assemblies, check bolts and pins to be sure they are positioned tightly.
- Check tractor with the tractor operator's manual that it can be prepared for operating.
- Warm up and operate the tractor and backhoe carefully. Purge any air in the hydraulic lines and cylinders by fully cycling all cylinders several times. Check the Fluid level in Tank each after doing this.
- Check hydraulic level in the tractor to the specified level.
- Do not operate the hydraulics when not seated in the backhoe operator's seat.
- Keep all assistants out of area of operation.
- Do not operate rapidly.
- Do not allow riders other than the operator to be on the tractor while operating.

Important

Use tractor engine speed that your experience permits.

Do not use the boom, dipper arm, swing or stabilizers to lift, push or pull objects. Use only to maneuver and operate the bucket.

Important

Practice quickly turning off the engine or stopping the backhoe immediately in case of an emergency situation.

Important

Do not operate while the rear tractor wheels are off the ground by stabilizer. It is dangerous to operate the backhoe while rear wheels are off the ground.


Position vehicle so that the backhoe is as near as possible and in such a direction as to minimize the amount of backhoe turning required to dump.


Keep the unit clean and perform regular service.


5.1 BACKHOE OPERATION CAUTIONS

We urge you to follow this advice: Failure to do so will result in a voided warranty, personal injury, or damage to equipment

1. Read and understand this manual as well as the Tractor Operator's Manual.
2. Remember and observe the safety precautions brought to your attention in this manual, the tractor manual and on the machinery itself.
3. Use good common sense in the everyday operation of this unit. Safety recommendations can never be all-inclusive and you are responsible for watching out for and avoiding unsafe conditions.
4. Never exceed the limits of a piece of machinery. If its ability to do a job, or to do so safely, is in question, don't try it.
5. Don't hurry the learning process or take the unit for granted. Ease into it and become familiar with your new backhoe.


 **Caution:** When lowering a heavy load, ease it downward slowly. Never drop a loaded attachment and “catch it hydraulically”. Stopping a load after it has gained downward momentum places undue strain on the unit and may void your warranty, cause unnecessary damage to the backhoe/tractor or even worse, personal injury.

 **Caution:** Before disconnecting hydraulic lines, relieve all hydraulic pressure. Escaping hydraulic oil under pressure can have sufficient force to penetrate the skin causing serious personal injury. If injured by escaping hydraulic oil, seek medical attention immediately.

 **Caution:** Do not operate the backhoe if the fittings are leaking or if the hoses are damaged. A sudden line burst would cause the boom, or dipper arm bucket to drop suddenly, void the warranty, cause damage to the tractor/backhoe or injury to personnel.

5.2 Initial Backhoe Operation

Before operating the backhoe, fully raise and lower the boom, arm, swing and stabilizers two or three times. Then raise the bucket above the ground and cycle the bucket cylinders three times. Lower the bucket to the ground. **Check the tractor hydraulic oil and fill to the correct oil level.**

 **Caution:** Before leaving the machine, stop the engine, remove the key. Place all controls in neutral, and either set the parking brake or place tractor in park as equipped.

Always keep cylinders in a retracted position when the backhoe is not in use to guard against rust and contamination which may cause damage to the cylinder rods or hydraulic system. Also, lock the swing and boom while tractor is moving and when storing for an extended period of time.

5.3 COLD WEATHER OPERATION

For smooth operation in cold weather, let the tractor warm up. Slowly cycle all of the cylinders several times to warm the oil in the hydraulic system. The backhoe may operate erratically until the hydraulic oil has warmed to operating temperatures.



CAUTION: Operate controls only when seated in the operator's seat with the seatbelt on.

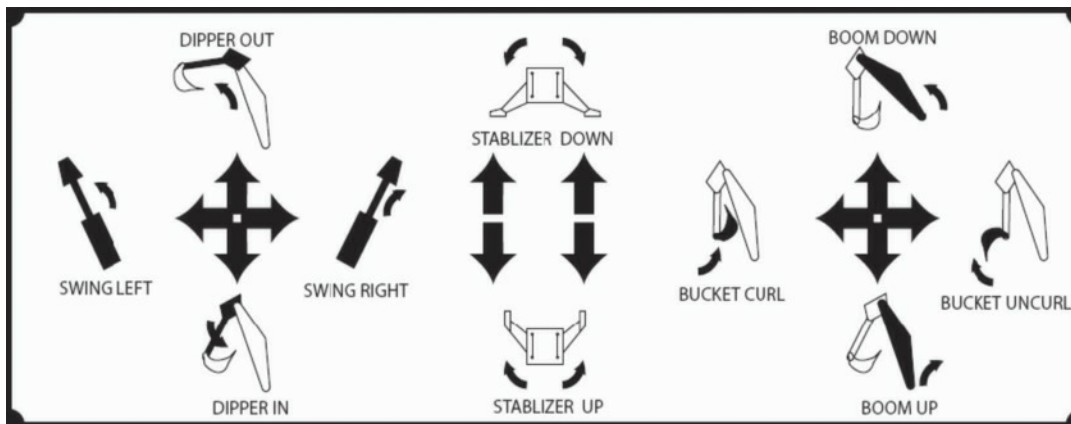
5.4 BACKHOE HYDRAULIC CONTROLS

The backhoe hydraulic valve features 4 control levers. Refer to the diagram below for backhoe control functions. "Left" and "Right" are determined by the direction the operator is facing when seated in the backhoe. The diagram is located on the rear of the control valve bracket and is visible when operating the valve.



- A. Boom & Bucket Control
- B. Right Stabilizer Control
- C. Left Stabilizer Control
- D. Dipper Arm & Swing Control

5.4 Backhoe Hydraulic Controls



-Stabilizer Control Lever is 2 – Way of moving stabilizers up & down

- Dipper Arm & Swing Control Lever is 4 – Way of moving Dipper out or in & Swing left or right

- Boom & Bucket Control Lever is 4 – Way of moving Boom up or down & bucket curled or uncurled.

Practice is needed to eliminate excess motion and increase operating efficiency.

Do not dig near the stabilizers as this can cause unsafe working conditions or accident.

Do not lift the tractor rear wheels off the ground with stabilizers.

5.5 TRAVELING SWING AND BOOM LOCK



When transporting or dismounting backhoe, you must lock the backhoe's swing and boom. Position boom straight back and then slide pin through holes in boom & swing frame.

5.6 TRAVELING STABILIZER CLIP LOCKS

When transporting or dismounting backhoe, you must lock Stabilizer Lock Clips. Raise stabilizers and attached Lock Clips.



6.0 BACKHOE ASSEMBLY & MOUNTING

-After removing from crate.

-You may need suitable support to lift and hold backhoe behind 3 pt during assembly.

-Attach filter bracket to bracket on hydraulic tank, this may require the loosening of the hoses to acquire needed rotation, then re-tighten the hoses.



USE EXTREME CAUTION WHEN CONNECTING TO TRACTOR

-The 3-PT mounting frame is adjustable to suit most tractor models with Cat-1 3-PT linkage.

1. Connect tractor 3-PT arms to lower mounting frame pins.
2. Connect PTO and move bucket down to lift boom to move main frame into vertical position. Lower stabilizers to balance backhoe. Raise Lift Arms until 3-PT top link frame will be close to horizontal with top link connection on tractor. See below for PTO Connection details.
3. Connect and Adjust top link assembly. 1 bolt under tower (Longest), 2 bolts in middle(Medium Length), and 1 bolt to top link.
4. Connect left hand and right hand lock out brace to the correct hole and secure the bolt and nut tightly. (Shortest Bolts)
5. Lower and manually lock the tractor 3-PT position/Draft Lever. (See Tractor's Operation Manual)

-Attach Seat with bolts & nuts provided.

-Operate all cylinders in and out 2 times. Check Oil Level again and fill as needed.

-Attach all safety labels

-Grease all 28 points as detailed below in Lubrication Section

IF YOU HAVE ANY QUESTIONS DURING ASSEMBLY PLEASE CONTACT THE COMPANY YOU PURCHASED YOUR VALUE-LEADER BACKHOE FROM.



6.1 CONNECTION

Connect the Hydraulic Hoses to Your Tractor's Rear Remote Hydraulic Ports.



CAUTION: Backhoe should be mounted to the tractor three point linkage.



CAUTION: Never store backhoe without bucket attached to the backhoe.



CAUTION: Never raise 3-PT position/draft lever while backhoe is connected, damage could occur to linkage and hydraulic system or void the warranty. Use mechanical means to secure levers in down positions.



CAUTION: It is Owner/Operator responsibility to ensure that the tractor 3-PT top link & Hydraulic lift cover area is strong enough to accept 3-PT rigid connection and backhoe while in operation as extra forces are exerted through top link. No liability can be accepted for damage to tractor.

8.0 LUBRICATION AND MAINTENANCE



Total of 28 Grease Points

Use Lithium Based All Purpose Grease

Hydraulic Oil – Use Standard Tractor Hydraulic Fluid

Item	Service	Service Interval
Hydraulic System Oil Level	Check	Daily / 10 Hours
Hydraulic System Oil / Filter	Replace	Every 50 Hours
Tyre Inflation	Check	Weekly / 50 Hours
Backhoe Pivot Points	Lubricate / Grease	Daily / 10 Hours
Backhoe Hydraulic Lines, Hoses, Connections	Check for leaks, wear	Daily / 10 Hours
Boom, Arm, Swing and Bucket cylinder rod packings	Check for seepage, service as needed	Daily / 10 Hours
Pivot Pin Bolts and Dust Covers	Check, replace if missing	Daily / 10 Hours
Pin Wear	Check, replace if necessary	Daily / 10 Hours
Backhoe Mount Hardware	Check visually	Daily / 10 Hours
Bolt and Nut Release	Re-torque	Every 25 Hours

8.0 LUBRICATION AND MAINTENANCE



CAUTION: Do not perform service or maintenance Operations with backhoe raised off the ground. For additional access to tractor components remove backhoe.

Important

Lower the backhoe to the ground and relieve pressure in backhoe hydraulic lines prior to performing any service or maintenance operations on the tractor or backhoe.



CAUTION: Escaping fluid under pressure can have sufficient force to penetrate the skin, causing serious injury, before disconnecting lines, be sure to relieve all pressure. Before applying pressure to the system, be sure all connections are tight and that lines, pipes and hoses are not damaged. Fluid escaping from a very small hole can be almost invisible. Use a piece of cardboard or wood rather than your hands to search for suspected leaks. If injured by escaping fluid, seek medical attention immediately. Serious infection or reaction can develop if correct medical treatment is not administered immediately.

Refer to “lubrication and Maintenance Chart” for quick reference to Maintenance Operations.



CAUTION: Do not operate the backhoe if any fittings are leaking or if the hoses are damaged. A sudden line burst could cause the boom, dipper arm or bucket to drop suddenly, causing damage to the tractor or backhoe or injury to personnel.



CAUTION: Operate the backhoe from the operator seat only .



CAUTION: Do not stand or walk under a raised backhoe. Accidental movement of control lever or leak in hydraulic system could cause boom or dipper arm to drop, causing severe injury.



CAUTION: To help prevent roll-over, adjust the rear wheels to their widest setting to maximize stability. Refer to your tractor Operator’s Manual for recommendations.

Note: when checking hydraulic system oil level, the backhoe should be on the ground and bucket fully retracted (all cylinders in retracted position).

Grease all backhoe pivot points daily (10 Hours).

Inspect hydraulic hoses, connections, control valve and cylinders for evidence of leakage.

Tractor tires should be maintained at maximum recommended inflation to maintain normal tire profile with added weight of backhoe/material. Unequal rear tire inflation can result in bucket not being level to the ground.

9.0 TROUBLE SHOOTING

Trouble Shooting

This Trouble Shooting Chart is provided for reference to possible backhoe operational problems. Determine the problem that best describes the operational problem being experienced and eliminate the possible causes as listed by following the correction procedures.

PROBLEM	Possible Cause	Correction
Swing, Boom, Dipper Arm and Bucket Cylinders	Low hydraulic fluid level	Check and replenish hydraulic fluid.
	Hydraulic hoses connected improperly	Check and correct hydraulic hose connections.
	Hydraulic hoses to / from control valve blocked	Check for damage (kinked) hoses, etc.
	Backhoe control valve or tractor main relief valve stuck open	Check system pressure, Repair or replace relief valve. Refer to the Tractor Operator's Manual.
	Low system pressure supplied from hydraulic pump	Check system pressure. Repair or replace pump.
	Control valve linkage broken	Inspect. Repair as required.
	Quick disconnect coupler(s) are not fully connected or "Flow Check"	Check coupler connections. Replace coupler(s) if necessary.
	Hydraulic Hose or tube line blockage	Check for evidence of damage to hoses or tube lines that would block flow of oil between cylinders and control valve.
	Cylinder piston assembly defective (not sealing)	Check cylinders for internal leakage as described in service section under cylinder leakage tests.
	Control Valve blockage	Inspect for blockage.
	Disassemble valve if necessary.	
	Safety lock pins (2) not removed	Remove and store safety pins.
Stabilizer legs safety clip not released	Release the clips.	

9.0 TROUBLE SHOOTING

PROBLEM	Possible Cause	Correction
Cylinders operate in wrong direction relative to control valve lever position.	Hydraulic Hoses connected incorrectly.	Correct hydraulic hoses connections.
Slow or erratic move of cylinders (Noisy operation of cylinders)	Low hydraulic fluid level	Check and replenish hydraulic fluid.
	Cold hydraulic fluid	Allow hydraulic system to warm up to operating temperature
	Hydraulic oil viscosity too heavy or Incorrect oil	Check oil number and viscosity, refill correct hydraulic oil.
	Engine R.P.M too slow (hydraulic pump R.P.M too slow).	Increase engine speed to obtain satisfactory backhoe operation.
	Excessive weight in bucket. Material weight exceeds maximum specified backhoe capacity.	Reduce material load. (Digging load)
	Control valve linkage binding / defective	Check control valve linkage and repair if work / defective.
	Aeration of hydraulic fluid	Refer to "Aeration of hydraulic Fluid"
	Quick disconnect coupler restriction or coupler "Flow checks"	Check coupler connections. Repair or replace.
	Hydraulic hose or tube line restriction hoses / Tube line) Kinked or pinched	Check hoses and tubelines for evidence of restriction.
	Boom, Dipper arm or Bucket cylinder piston assembly leakage.	Check cylinders for leakage. Repair as needed.
	Relief valve erratic or set below specifications	Check and reset relief valve. Setting as needed.
Control valve leaking internally. (bypassing fluid within valve).	Replace control valve and recheck operation.	

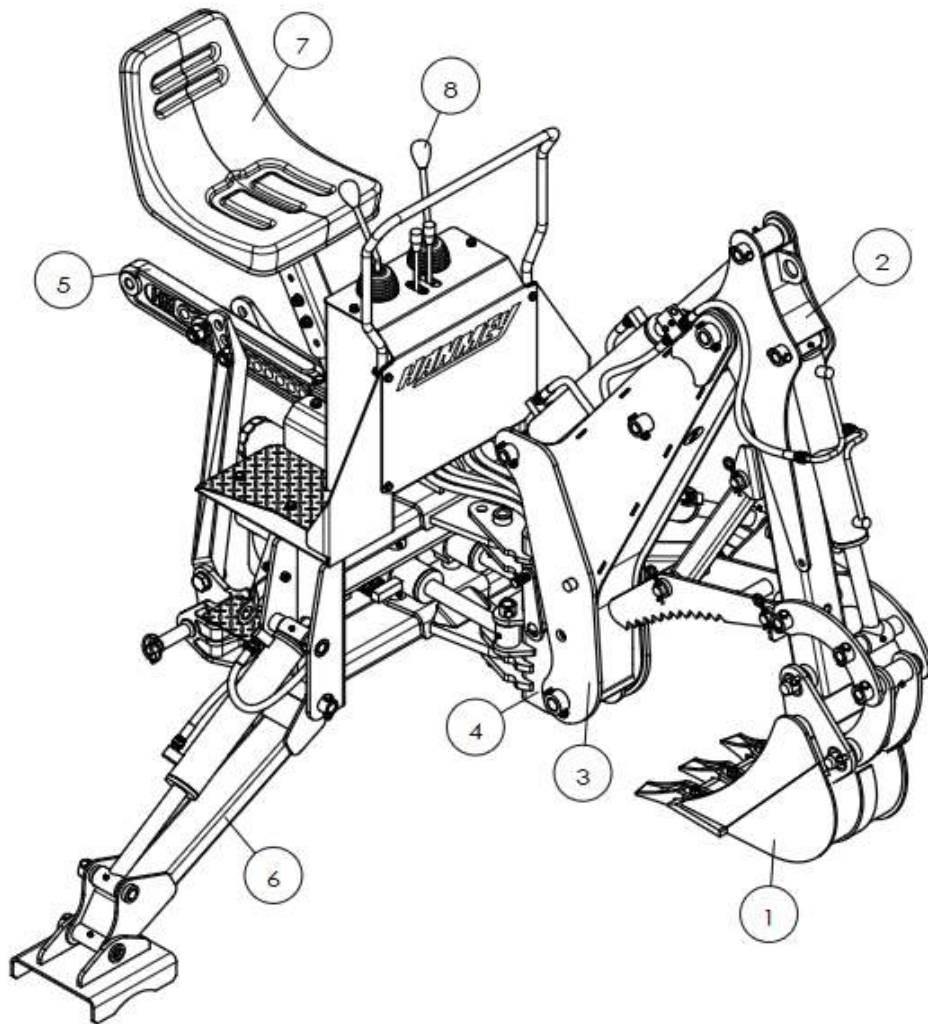
9.0 TROUBLE SHOOTING

PROBLEM	Possible Cause	Correction
Inadequate lifting capacity	Engine R.P.M too slow	Increase engine R.P.M
	Excessive load. Material loading exceeds specified backhoe capacity.	Reduce Load
	Relief valve setting below specifications	Check and reset relief valve setting as needed.
	Bucket, Boom and Dipper arm cylinder piston assembly leakage	Check Cylinders for leakage. Repair as needed.
	Control Valve leaking internally	Replace control valve and recheck operation.
	Hydraulic pump defective	Refer to "Hydraulic Pump Capacity Inadequate"
Aeration of Hydraulic Fluid (Generally indicated by foamy appearance of fluid)	Low Hydraulic fluid level	Check and refill hydraulic system to proper level.
	Air leing into suction side of hydraulic pump	Check for loose or defective connections between reservoir and hydraulic pump.
	Hydraulic fluid foaming due to improper hydraulic oil usage	Refer to tractor Operator's Manual and replace hydraulic oil using recommended hydraulic oil
System relieve valve squeals	Cold Hydraulic Fluid	Allow hydraulic fluid to warm up to operating temperature.
	Hydraulic Oil viscosity too heavy or Incorrect Oil	Check Oil Number and Viscosity, refill correct hydraulic oil
	Excessive load in bucket. Loading exceeds specified backhoe capacity	Reduce Load
	Relief Valve setting below specifications.	Check and reset valve setting as needed.
	Hydraulic hose, tube line or quick disconnect coupler restriction	Check for evidence of restriction in the hydraulic oil flow. Repair or replace defective components.

9.0 TROUBLE SHOOTING

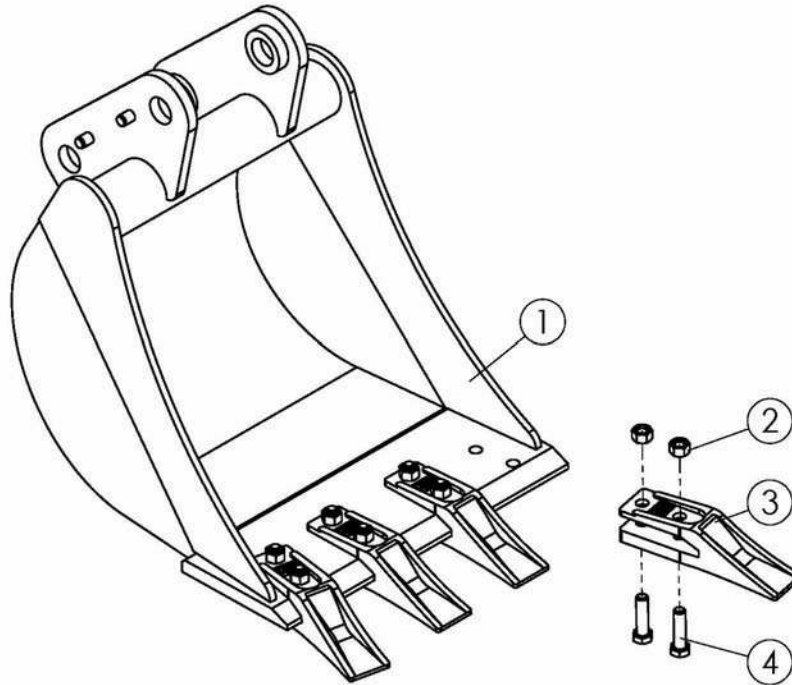
PROBLEM	Possible Cause	Correction
Backhoe Drops with valve spool in “centred” position (no external oil leakage evident). Note: A gradual drop over an extended period of time is a normal condition.	Cylinder piston assembly leakage	Check cylinders for leakage
	Control valve internal leakage	Replace control valve and recheck
Control Valve spool(s) will not return to centred position	Control lever linkage binding	Determine origin of binding and repair
	Control valve spool centring is broken	Replace Centring Spring
	Control valve spool binding in valve body spool bore	Disassemble valve for inspection and repair.
External Hydraulic fluid Leakage	Loose Hydraulic connection	Tighten loose connections
	Defective hydraulic hose, tube line, adapter fitting or adapter fitting o-ring.	Check for origin of oil leak and replace defective part.
	Control valve o-ring defective	Replace defective o-rings
	Control valve spool or body damaged or worn	Replace control valve
	Cylinder rod packing set leakage	Check cylinders for leakage. Repair as needed.
Hydraulic pump capacity inadequate	Cold Hydraulic fluid	Allow hydraulic fluid to warm up to operating temperature.
	Engine R.P.M too slow	Increase engine R.P.M
	Low hydraulic fluid supply	Refer to Tractor Operator’s Manual for service recommendations.
	Hydraulic hose restriction	Check for evidence of restriction in hydraulic hoses.
	Hydraulic pump defective	Refer to Tractor Operator’s Manual for recommended service procedures.
	Replace hydraulic pump if determined to be defective	
Cylinder Rod bend when cylinders extended	Excessive shock load on cylinders during transport	Replace defective parts. Review and observe proper and safe operational practices.

10.0 Backhoe Parts Assemblies



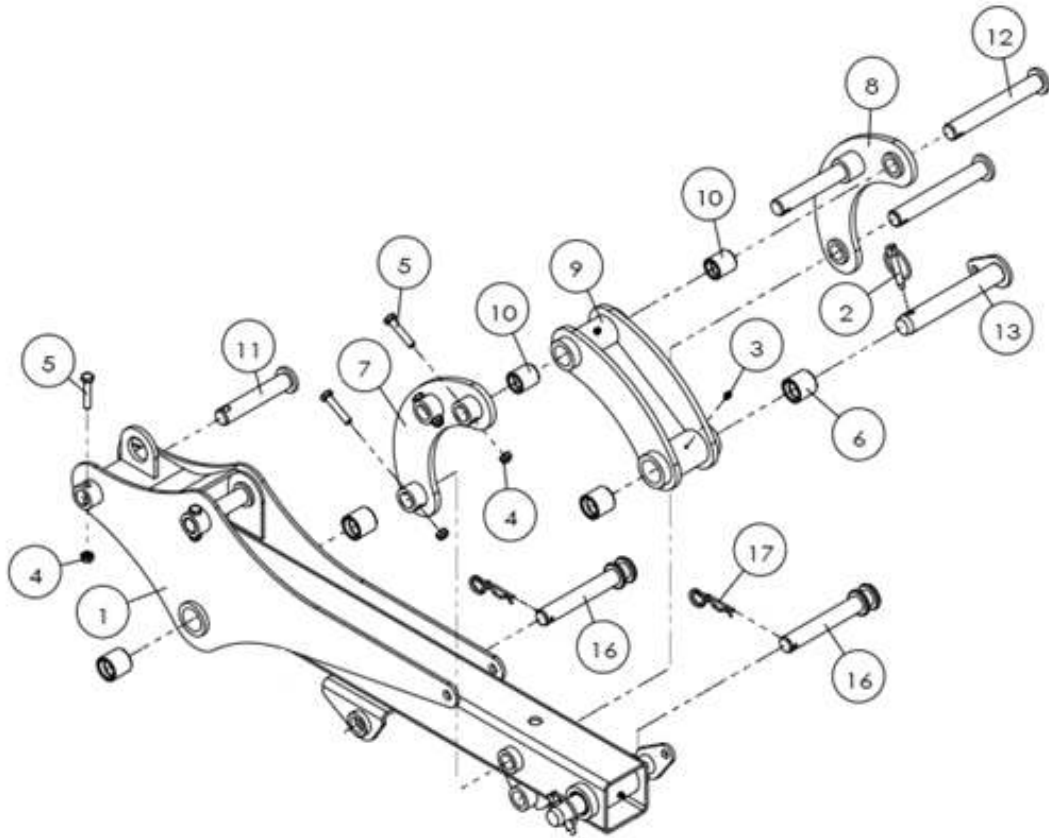
No.	Part Number	Part Description	MFG #	Qty.
1	MBH-6. 01. 001A-30	Bucket Assembly (Standard)	802910370	1
2-1	MBH-6. 02. 001S	Front arm assembly	814710020	1
3-1	MBH-6. 03. 001	Boom assembly	802910379	1
3-2				
4-1	BH-6B. 04. 001	Swivel Assembly	802830126	1
5	BH-6. 05. 001	Base Assembly	802830127	1
6	BH-6. 06. 001	Stabilizer Assembly	802830129	1
7	BH-6. 07. 001	Seat Assembly	802830130	1
8-1	BH-6B. 08. 001-S	Hydraulic Control assembly	814710022	1

10.1 Bucket Assembly



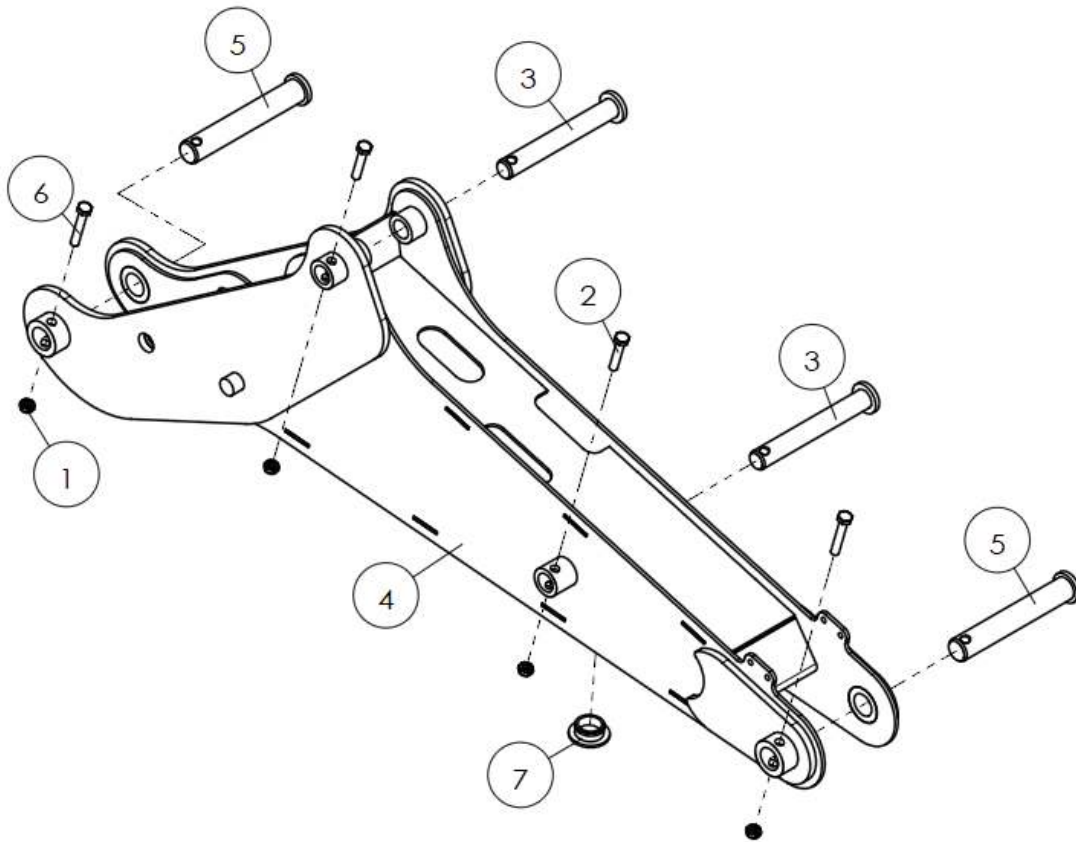
Item	MFG No.	Part No.	Specification	Qty
1	802910172	MBH-6. 01. 011A-40	bucket	1
2	503010047	GB6170-M12	nut	8
3	702900013	MBH-5. 01. 101	Bucket teeth	4
4	501010755	GB5782-M12X45	Bolt	8

10.2 Front Arm Assembly



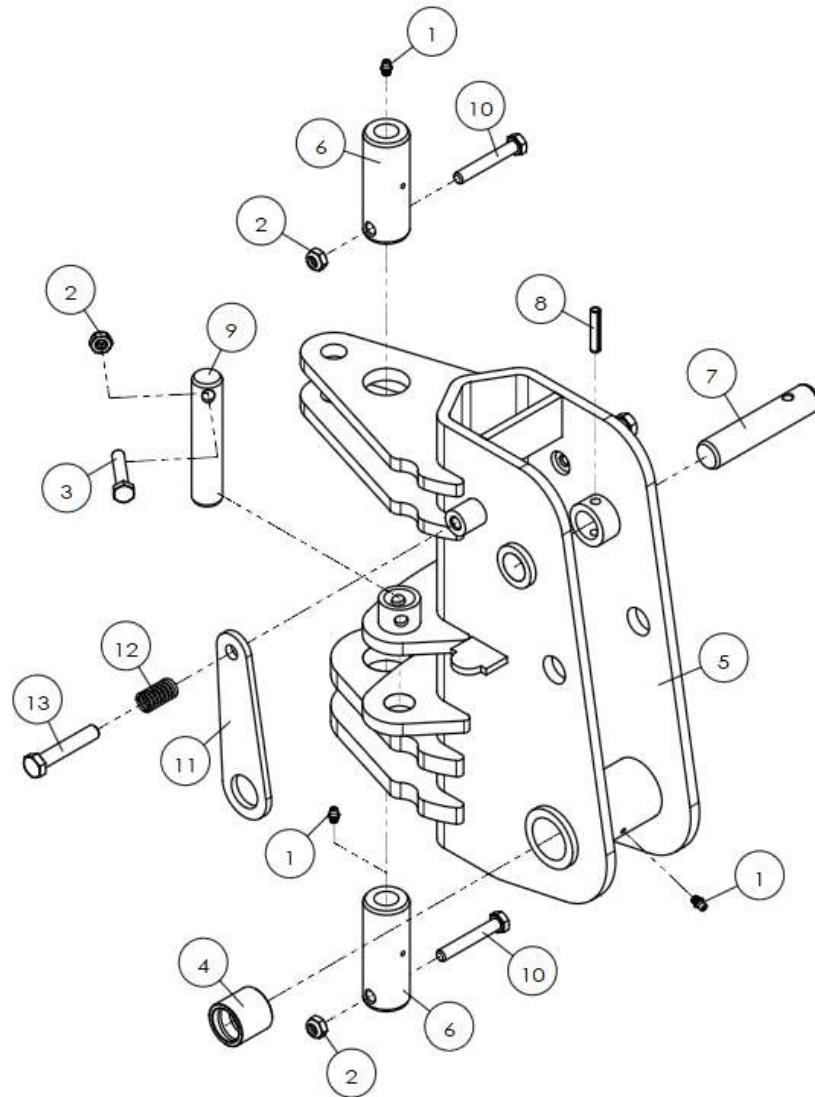
No.	Part No.	Description	MFG NO.	Qty.
1-1	MBH-6. 02. 011S	Front Arm Weldment	814710021	1
2	200. 56. 011	locking pin	700080010	2
3	JB7940. 1-M6	M6 Grease Zerk	509010007	5
4	DIN985-M10	M10 Thin Hex Nut	503010762	5
5	GB5782-M10X50	M10x50 bolt	501010747	5
6	MBH-6. 02. 101-1	ushing	702910195	6
7	MBH-6. 02. 012	right side Front Arm Bracket	802910209	1
8	MBH-6. 02. 013	Left Side Front Arm Bracket	802910212	1
9	MBH-6. 02. 014A	Bucket Bracket	802910214	1
10	MBH-6. 02. 102-1	Bushing	702910196	2
11	MBH-6. 02. 134A	136 Pin	702910393	2
12	MBH-6. 02. 133A	185 Pin	702910392	3
13	MBH-6. 02. 015A	Bucket pin	802910218	2
14	MBH-6. 02. 022	Thumb structure	802910224	1
15	MBH-6. 02. 023	Brace rod	802910227	1
16	ZL-DF304G2-6-202	Front Arm Locking Pin	700010669	3
17	ZL-25. 104	Keeper pin	703340017	3

10.3 Main Boom Assembly



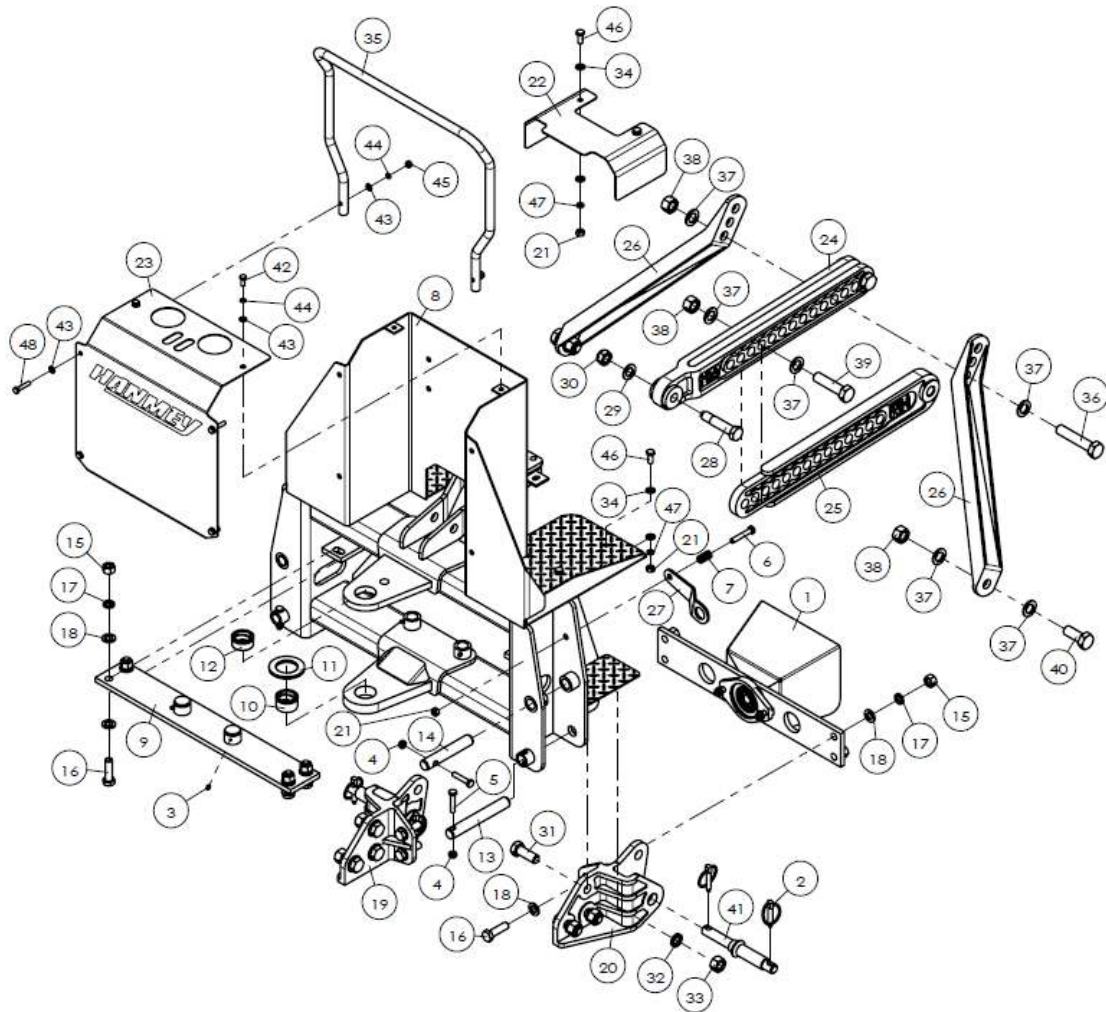
No.	Part No.	Description	MFG No.	Qty.
1	DIN985-M10	M10 Locknut	503010762	4
2	GB5782-M10X50	M10x50 Bolt	501010747	2
3	MBH-6. 02. 133A	185 pin	702910392	2
4-1	MBH-6. 03. 011-1	Boom Weldment	802910230	1
5	MBH-6. 03. 131A	186 pin	702910394	2
6	GB5782-M10X60	M10x60 Bolt	501010749	2
7	FM120. 00. 110-2	Dust Cover	702110077	1

10.4 Swing Joint Assembly



No.	Part No.	Part No.	MFG No.	Qty.
1	JB7940. 1-M6	M6 Grease Zerk	509010007	3
2	DIN985-M10	M10 Locknut	503010762	4
3	GB5782-M10X50	M10x50 Bolt	501010747	2
4	MBH-6. 02. 101-1	bushing	702910195	2
5-1	BH-6B. 04. 011-1	转向节 knuckle	802830007	1
6	BH-6. 04. 103	Knuckle Shaft	702830005	2
7	MBH-6. 04. 101	25X118 Pin	702910244	1
8	GB879. 1-8X40	Elastic Pin 8x40	508011566	1
9	BH-6. 04. 104	M25X122 pin	702830006	2
10	GB5782-M10X65	M10x65 Bolt	501010750	2
11	MBH-8. 04. 106	Lock Plate	702930472	2
12	BH-6. 05. 107	Spring Washer	702830014	2
13	GB5782-M12X65	M12x65 Bolt	501010759	2

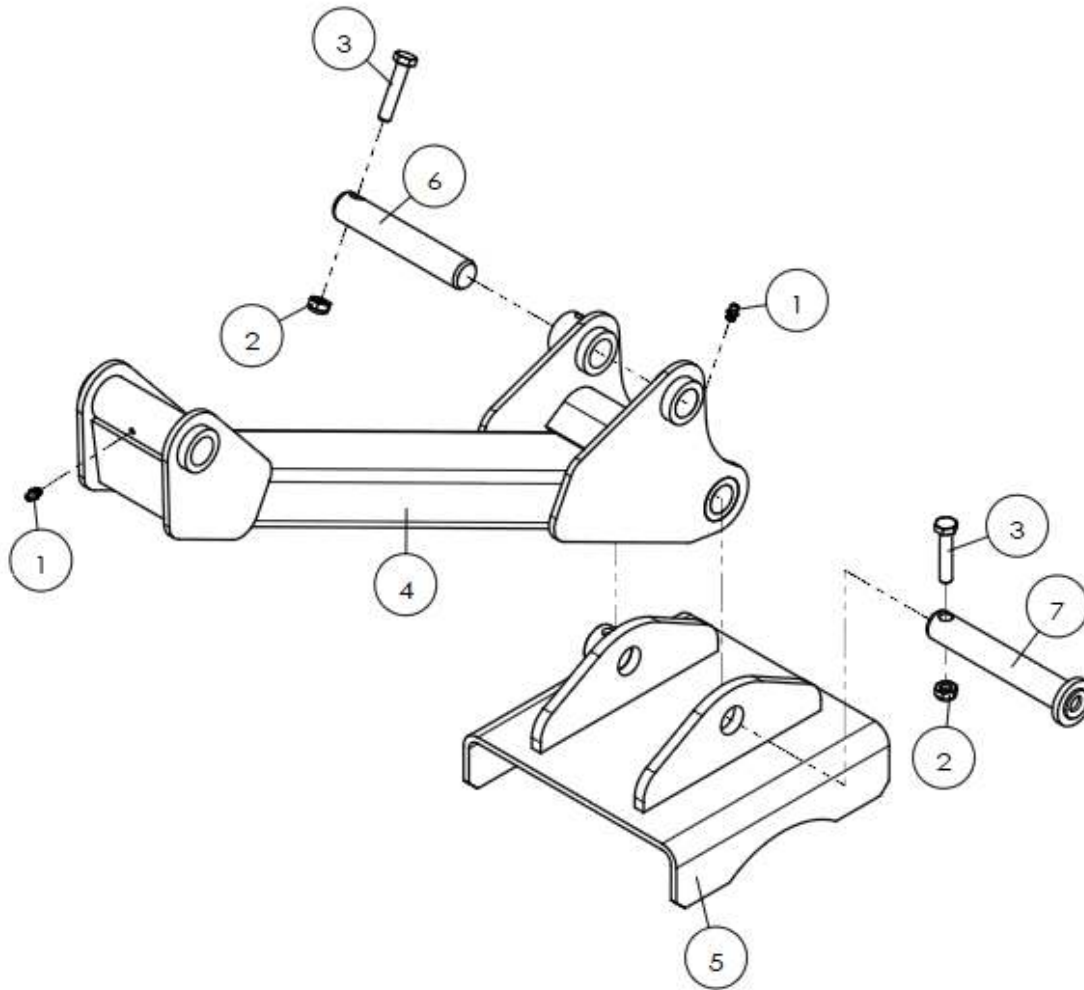
10.5 Operation Panel Assembly



No.	Part No.	Description	MFG No.	Qty.
1	BH-6.05.014	pump seat assembly	802830128	1
2	200.56.011	lock pin	700080010	4
3	JB7940.1-M6	M6 Grease Zerk	509010007	4
4	DIN985-M10	M10 Locknut	503010762	4
5	GB5782-M10X50	M10x50 bolt	501010747	4
6	GB5782-M10X60	M10x60 bolt	501010749	2
7	BH-6.05.107	spring	702830014	2
8	BH-6.05.011	base	802830029	1
9	BH-6.05.012-1	Swing Cylinder upper bracket	802830052	1
10	BH-6.05.108-1	sleeve	702830022	1
11	BH-6.05.109	washer	702830023	1
12	BH-6.05.110-1	bushing	702830024	1
13	BH-6.03.102	25X182 pin	702830028	2
14	BH-6.05.104	25X146 pin	702830019	2

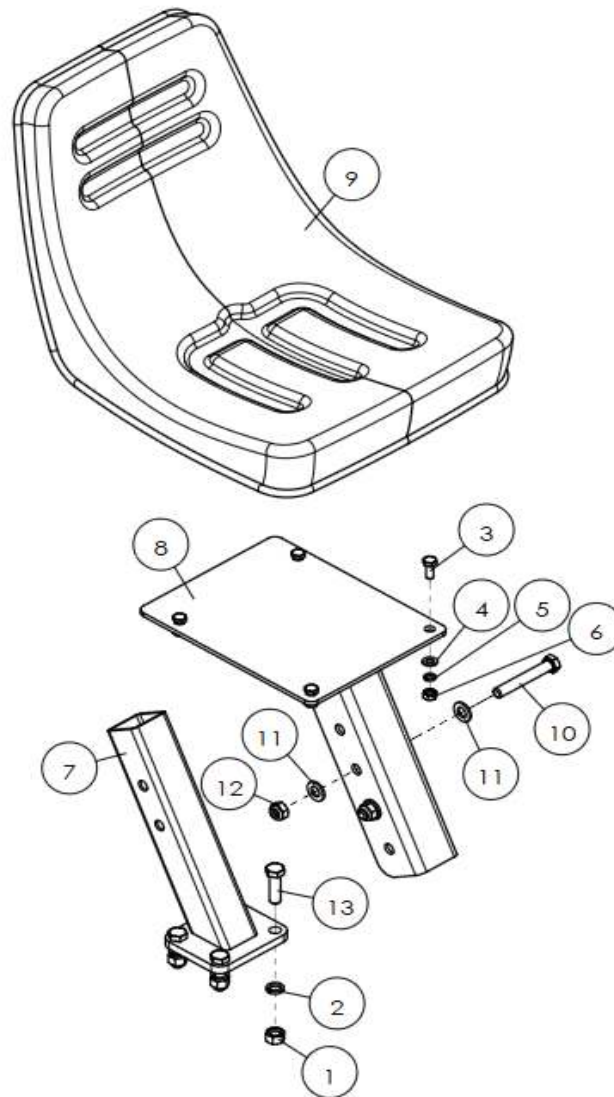
15	GB6170-M16	M16 Lock nut	503010049	8
16	GB5782-M16X55	M16x55 bolt	501010778	8
17	GB93-16	M16 Lockwasher	506030039	8
18	GB97.1-16	M16 flat washer	506010059	16
19	BH-6.05.213	Right base side bracket	702830025	1
20	BH-6.05.215	Left side base bracket	702830026	1
21	GB6170-M10	M10 Locknut	503010046	8
22	BH-6.05.103	shield panel	702830018	1
23	BH-6.05.020	Valve Cover	802830365	1
24	MBH-5.05.202	Pull Plate	702930504	1
25	MBH-5.05.201	Adjusting plate	702930503	1
26	BH-6.05.216	3-point upright Brackets	702830027	2
27	BH-6.05.106	Stabilizer lock	702830021	2
28	GB27-M20X110	M20x110 bolt	501014281	1
29	GB97.1-20	M20 flat washer	506010061	1
30	DIN985-M20	M20 Locknut	503010767	1
31	GB5783-M20X55	M20x55 bolt	501011198	6
32	GB93-20	M20 Lockwasher	506030041	6
33	GB6170-M20	M20 Locknut	503010051	6
34	GB97.1-10	M10 flat washer	506010056	12
35	BH-6.05.101	handrail	702830016	1
36	GB5782-M22X110	M22x110 bolt	501010820	1
37	GB97.1-22	M22 flat washer	506010062	10
38	GB6170-M22	M22 Locknut	503010052	5
39	GB5782-M22X90	M22x90 bolt	501010818	2
40	GB5783-M22X55	M22x55 bolt	501011215	2
41	BH-6.05.105	Lower Lift Pin	702830020	2
42	GB5783-M8X20	M8x20 bolt	501011099	4
43	GB97.1-8	M8 Flat Washer	506010055	10
44	GB93-8	M8 Lockwasher	506030035	6
45	GB6170-M8	M8 Locknut	503010045	4
46	GB5783-M10X25	M10x25 Bolt	501011112	6
47	GB93-10	M10 Lockwasher	506030036	6
48	GB5782-M8X40	M8x40 bolt	501010737	2

10.6 Support Leg Assembly



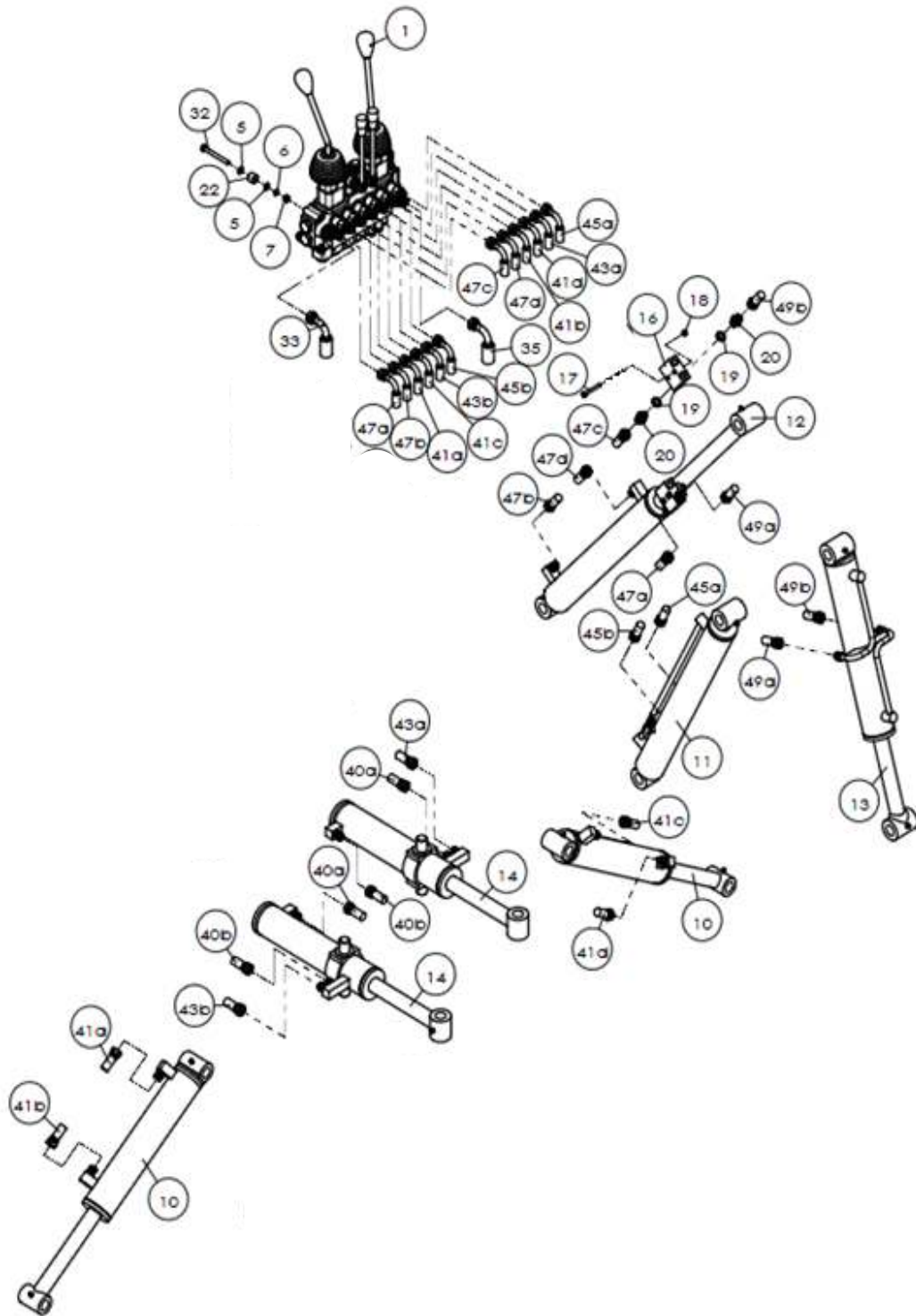
No.	Part No.	Description	MFG No.	Qty.
1	JB7940.1-M6	M6 Grease Zerk	509010007	2
2	DIN985-M10	M10 Locknut	503010762	2
3	GB5782-M10X50	M10x50 bolt	501010747	2
4	BH-6.06.013/014	L/R Stabilizer Leg	802830068/802830078	1
5	BH-6.06.011	Foot Pad	802830062	1
6	BH-6.02.101	25X140 pin	702830061	1
7	BH-6.06.104A	Foot pin	702830372	1

10.7 Seat Assembly



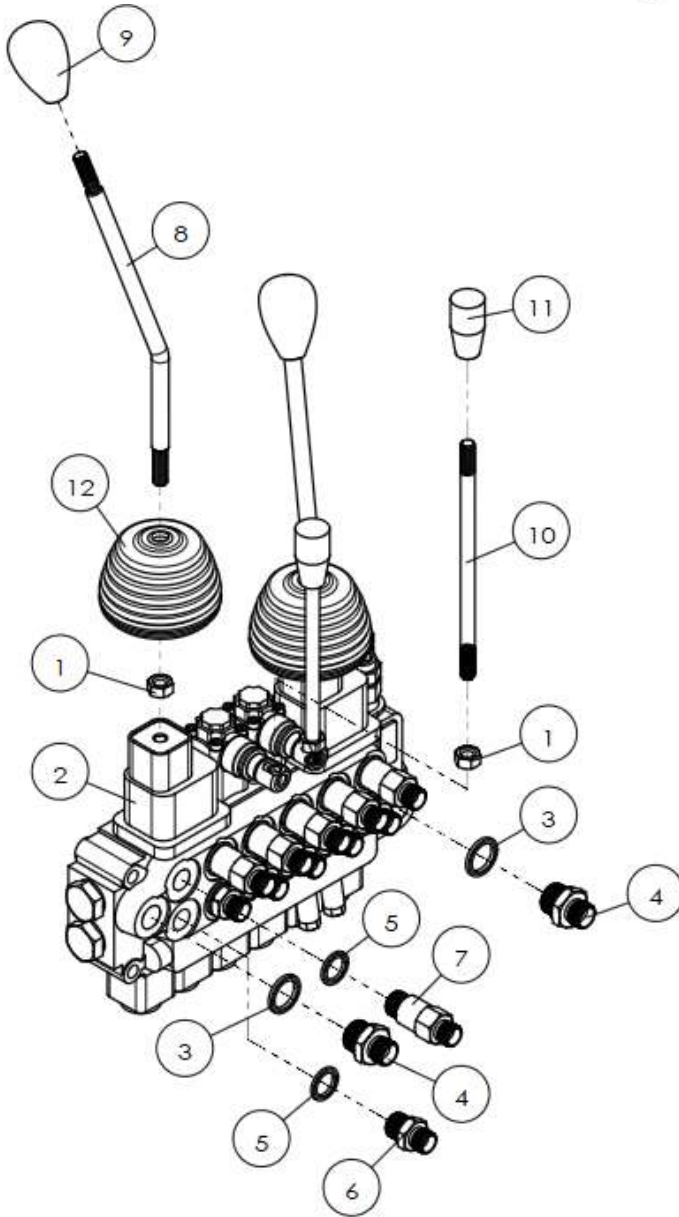
No.	Part No.	Description	MFG No.	Qty.
1	GB6170-M12	M12 Locknut	503010047	4
2	GB93-12	M12 Lockwasher	506030037	4
3	GB5783-M8X20	M8x20 bolt	501011099	4
4	GB97.1-8	M8 Flat washer	506010055	4
5	GB93-8	M8Lock Washer	506030035	4
6	GB6170-M8	M8 Locknut	503010045	4
7	BH-6.07.012	Seat Frame (lower)	802830083	1
8	BH-6.07.011	Seat Frame (upper)	802830080	1
9	LW-7.06.101	Seat	706040001	1
10	GB5782-M12X80	M12x80 Bolt	501010761	2
11	GB97.1-12	M12 Flat washer	506010057	4
12	DIN985-M12	M12 Locknut	503010763	2
13	GB5783-M12X40	M12x40 Bolt	501011128	4

10.8 Boom Cylinder Assembly



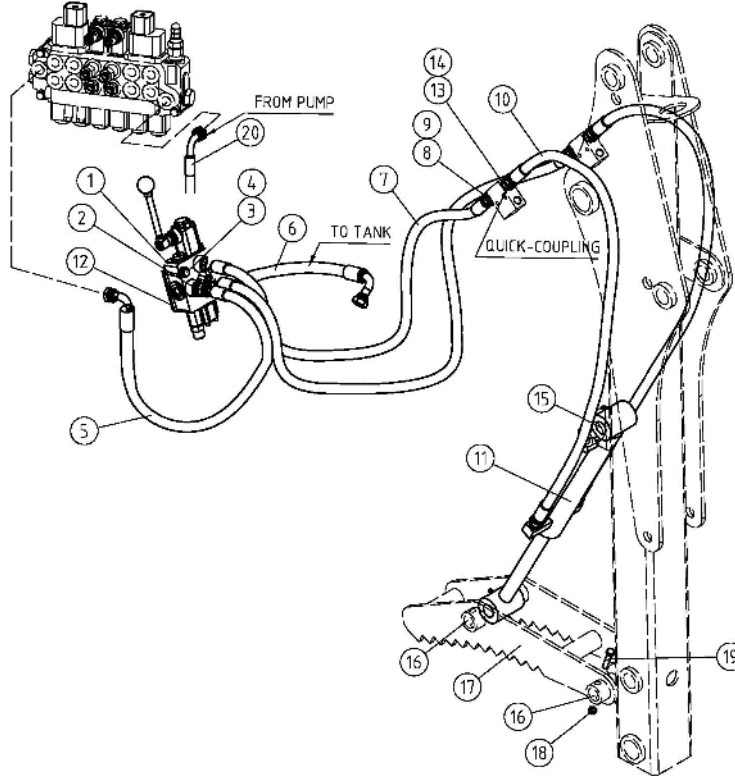
No.	Part No.	Description	MFG No.	Qty.
1	BH-6.08.014T	Coltrol Valve	802830132	1
2				
3				
4				
5	GB97.1-8	M8 flat washer	506010055	6
6	GB93-8	M8 Lock washer	506030035	3
7	GB6170-M8	M8 Locknut	503010045	3
8				
9				
10	BH-6.08.025-1	Stabilizer cylinder	702830108	2
11-1	MBH-6.08.013-1	Boom Cylinder	702910329	1
12-1	MBH-6.08.012-1	Front Arm Cylinder	702910328	1
13	MBH-6.08.011-1	Bucket cylinder	702910327	1
14	BH-6.08.023-1	Swing cylinder	702830106	2
16	MBH-5.08.133	Transition block	702900139	2
17	GB5782-M6X50	M6x50 Bolt	501010733	4
18	DIN985-M6	M6 Locknut	503010759	4
19	JB982-14 (进)	M14.7X22X1.5 washer	510015239	4
20	MBH-8.08.308Y	connector	702930541	4
21	BH-6.08.017-2	Hydraulic oil tank	802830091	1
22	BH-6.08.101	Bushing	702830113	3
23	MBH-8.08.118	Gasket	702930506	1
24	MBH-8.08.117	Oil tank cap	702930505	1
25				
26	GB5783-M6X12	M6x12 bolt	501011087	4
27	GB93-6	M6 Lockwasher	506030034	4
28	GB97.1-6	M6 Flat washer	506010054	4
29	JB982-16 (进)	M16 lock washer	510015262	1
30	CBW-00-011	M16X1.5 Breather plug	703070084	1
31	GB3452.1-G-8X1.8	M8 o-ring	510013064	1
32	GB5782-M8X80	M8x80 bolt	501010744	3
33	BH-6.08.016T	Tank hose	702830090	1
35				
37				
38				
40	BH-6.08.024	Swing to Swing hose	702830107	4
41	BH-6.08.026	stabilizer hose	702830109	4
43	BH-6.08.027	Valve to Swing hose	702830110	2
45	BH-6B.08.028	boom cylinder hose	702830111	2
47	BH-6B.08.029	Front Arm cylinder hose	702830112	4
49	MBH-6.08.030	Bucket Cylinder hose	702910349	4

10.9 Control Valve Assembly



No.	Part No.	Description	MFG No.	Qty.
1	GB6170-M10	M10 nut	503010046	4
2	ZTa-L12E-0T. 04T. 40T-1	Valve Body	702830371	1
3	JB982-22 (进)	22. 7X30X2.0 wahser	510015243	2
4	MBH-6. 08. 304T	connector	702910333	2
5	JB982-18 (进)	M18 Lock Washer	510015241	12
6	MBH-6. 08. 302T	connector	702910332	6
7	MBH-6. 08. 301T	connector	702910331	6
8	MBH-5. 08. 107	Control Lever	702900140	2
9	BH-6. 07. 090	Handle Tip	702830120	2
10	MBH-6. 08. 107	Stabilizer Control lever	702910334	2
11	BH-6. 07. 091	Stabilizer control lever top	702830121	2
12	BH-6. 08. 105A	Rubber Boot	702830369	2

10.10 Hydraulic Thumb Assembly



No.	Part NO.	Description	MFG No.	Qty.
1	MBH-6. 08. 044Y-DK	Valve	814860461	1
2	1CB-18-06WD	M18X1.5-G3/8 joint	700250036	1
3	GB5782-M8X60	M8x60 bolt	501010741	2
4	DIN985-M8	M8 nut	503010761	2
5	BH-6. 08. 016S	Valve to Thumb Valve hose	814700805	1
6	BH-6. 08. 017S	Valve Hose	814700806	1
7	BH-6. 08. 019S	Single valve to arm transition block Hose	814700808	2
8	JB982-14 (进)	M14 washer	510015239	6
9	MBH-8. 08. 308Y	Transition block connector	702930541	2
10	BH-6. 08. 018S	Thumb Cylinder hose	814700807	2
11	BH-8. 08. 040S	Thumb Cylinder	810950014	1
12	BH-6. 05. 222	Valve mounting bracket	714700804	1
13	BH-6. 08. 301	Transition block Connector	702910400	2
14	JINGKOU-QUICK-COUPLING-set-G3-8	G3/8 coupling	800070051	2
15	MBH-6. 02. 134A	136 pin	702910393	1
16	BH-6. 06. 104A	Thumb mounting pin	702830372	2
17	MBH-6. 02. 022S	Thumb	810950005	1
18	DIN985-M10	M10 nut	503010762	3
19	GB5782-M10X50	M10x50 bolt	501010747	3
20	BH-6. 08. 015T	Pump to valve hose	702830089	1

Value-Leader Brand 1 Year Warranty

Unless otherwise stated on purchase invoice, Betstco warrants to original Purchaser that Value-Leader products are free from major defects in material under normal use and service for a period of 1 Year from the date the product is purchased or shipped, whichever is later. Commercial use 180 days. Use at address that is not yours, is considered commercial use. Consumable, Expendable, Wear Items (Rubber plastic parts, hydraulic hoses, belts, tires, cables, blades, tines, wedges, teeth, tiups, chains, pins, brushes, filters, etc) and cracked hydraulic pumps, bent or broken cylinder rods are not covered under this warranty. Warranty does not cover items that have been modified, damaged by abuse or usage not in accordance with design or maintenance.

Betstco obligation under this warranty is to repair or replace defective upon approval by; Betstco, 83371 Melton Rd, Creswell OR 97426 that Warranty Claim is valid. Product shall be returned upon request of Betstco. Transportation charges to be prepaid by user.

Gasoline or diesel engines used to powered Value-Leader products are covered by the warranty of the appropriate engine manufacturean Purchaser must look to the engine manufacture for all issues relating to engine operation.

Betstco assumes no responsibility for outside labor.

PERMISSABLE BY APPLICABLE LAW, BETSTCO HEREBY DISCLAIMS ALL WARRANTIES OF ANY KIND, EITHER EXPRESS OR IMPLIED, INCLUDING, ANY IMPLIED WARRANTIES WITH RESPECT TO THE PRODUCT PURCHASED, WITHOUT LIMITING THE GENERALITY OF THE FOREGOING, BETSTCO HEREBY EXPRESSLY DISCLAIMS ALL LIABILITY FOR PRODUCT DEFECT OR FAILURE, CLAIMS THAT ARE DUE TO NORMAL WEAR, PRODUCT MISUSE, ABUSE, PRODUCT MODIFICATION, IMPROPER PRODUCT SELECTION, NON-COMPLIANCE WITH ANY CODES, OR MISAPPROPRIATION. BETSTCO MAKES NO WARRANTIES TO THOSE DEFINED AS "CONSUMERS" IN THE MAGNUSON-MOSS WARRANTY FEDERAL TRADE COMMISION IMPROVEMENTS ACT. THE FOREGOING EXCLUSION OF IMPLIED WARRANTIES DO NOT APPLY TO THE EXTENT PROHIBITED BY LAW. PLEASE REFER TO YOUR LOCAL LAWS FOR ANY SUCH PROHIBITIONS.

THERE SHALL BE NO LIABILITY FOR PRODUCT LIABILITY OR LIABILITY ON THE PART OF BETSTCO FOR ANY GENERAL SPECIAL OR CONSEQUENTIAL DAMAGES ARISING OUT OF THE SALE OR USE OF ANY PRODUCTS SOLD BY BETSTCO OR AN AGENT THEREOF, BETSTCO MAKES NO WARRANTIES, EXPRESS OR IMPLIED, (INCLUDING, BUT NOT LIMITED TO, ANY WARRANTY OF MERCHANTABILITY OR FITNESS OF THE PRODUCTS FOR ANY PURPOSE) WITH RESPECT TO THE PRODUCTS COVERED BY THIS AGREEMENT EXCEPT AS IN THIS PARAGRAPH OTHERWISE EXPRESSLY PROVIDED.

THIS IS THE SOLE AND ONLY WARRANTY OF VALUE-LEADER PRODUCTS, NO OTHER WARRANTY IS APPLICABLE, EITHE EXPRESSED OR IMPLIED, IN FACT BY LAW.

This warranty shall not be interpreted to render Betstco, or any authorized agent liable for injury or damages of any kind or nature, direct, consequential, or contingent, to a person or property.

The sole and only remedy in regard to any defective product shall be the repair or replacement thereof as herein provided, Betstco, agent(s) of Betstco shall not be liable for any consequential, special, incidental or punitive damages resulting from or caused by any such defects

Betstco reserves the rights to make improvements in design or changes in specifacations at any time, without incurring any obligations to owners of the units previously sold.

WARRANTY VOID IF REGISTRATION IS NOT RECEIVED OR RECORDED ONLINE WITHIN 30 DAYS OF PURCHASE DATE OR SHIP DATE, WHICHEVER IS LATER.



est.1995

ITEM: _____ MODEL# _____ PURCHASE DATE: ____/____/____

PURCHASED FROM: _____ GIFT INV# ORDER# _____

OWNER NAME: _____ SERIAL # _____

OWNER ADDRESS: _____

CITY: _____ COUNTY: _____ ST: _____ ZIP: _____

PHONE: _____ EMAIL: _____

ACCEPTANCE OF RESPONSIBILITY:

I (PURCHASER) HAVE READ OPERATORS MANUAL AND LIMITED WARRANTY OR SOMEONE HAS READ/AND EXPLAINED ALL INSTRUCTIONS TO ME. I UNDERSTAND THIS WARRANTY DOES NOT COVER ANY LABOR AND THAT ALL DISPUTES WILL BE SETTLED BY BINDING ARBITRATION. BINDING ARBITRATION IS CONDUCTED BY THE BETTER BUSINESS BUREAU (BBB) LOCATED AT 4004 SW KRUSE WAY PLACE ST 375 LAKE OSWEGO OR 97035 OR THE CURRENT BBB LOCATION CLOSEST TO BETSTCO. I ACKNOWLEDGE MY LIMITED WARRANTY IS VOID IF ANY ATTEMPT TO REPAIR OR REPLACE DEFECTIVE PARTS HAS BEEN MADE BY UNAUTHORIZED PERSONNEL. I ACKNOWLEDGE RECEIPT OF MY OPERATORS MANUAL AND HAVE READ THE SAFE OPERATION SECTION. I ACKNOWLEDGE UNDERSTANDING MAINTENANCE AND SAFE OPERATION REQUIREMENTS, ITEM SPECIFICATIONS, OPERATION, CONTROLS AND STORAGE REQUIREMENTS. **I UNDERSTAND THAT IS ALONE AM RESPONSIBLE FOR PROPER MAINTENANCE, CARE AND SAFE OPERATION OF THIS VALUE-LEADER ITEM**

I (PURCHASER) AGREE THAT PERSONS NOT FAMILIAR WITH THE OPERATION OF THIS ITEM SHOULD NOT BE ALLOWED TO USE IT. CHILDREN ESPECIALLY SHOULD NOT OPERATE OR BE NEAR POWER PRODUCTS WHEN IN USE. ANYONE OPERATING VALUE-LEADER PRODUCTS SHOULD HAVE READ OPERATIONS MANUALS AND SAFETY MANUALS.

OWNERS SIGNATURE: x _____ DATE: ____/____/____

YOU MUST SIGN THIS WARRANTY AND MAIL OR FAX A COPY TO BETSTCO, 83371 MELTON RD N. #3, CRESWELL OR. IF YOU PREFER YOU MAY COMPLETE YOUR REGISTRATION ONLINE AT WWW.VALUE-LEADER.COM. THIS WARRANTY IS NOT EFFECTIVE UNLESS PURCHASER COMPLETE REGISTRATION AND WARRANTY FOR WITHIN 30 DAYS OF PURCHASE OR SHIP DATE WHICHEVER IS LATER.

NOTE: WE MAY REFUSE WARRANTY OF ANY KIND UNLESS BETSTCO, RECEIVES A COMPLETED, LEGIBLE AND SIGNED WARRANTY REGISTRATION. IT IS THE RESPONSIBILITY OF THE PURCHASER TO ASSURE THAT REGISTRATION DOCUMENT IS RECEIVED BY BETSTCO.

**1 YEAR EXTENDED WARRANTY & REGISTRATION
VALUE LEADER IMPLEMENTS
BRANDED PRODUCTS
1 YEAR EXTENDED WARRANTY**

1 Year Extended Warranty amends to original Recorded Warranty Registration the time period of described coverage. Extended Warranty does not apply to consumable and Expendable Item as described in Product Warranty Registration.

This amendment does not affect any other part of recorded Warranty Registration or policy.

No one is authorized to alter, modify, or enlarge this Amendment to original recorded Warranty Registration

**EXTENDED REGISTRATION & PAYMENT MUST BE RECEIVED
WITHIN 30 DAYS OF PURCHASE DATE**

EXTENDED WARRANTY REGISTRATION

PRODUCT & MODEL # _____

SERIAL # _____

OWNER NAME : _____

BETSTCO INVOICE # _____

ACCEPTANCE OF RESPONSIBILITY:

I (PURCHASER) HAVE READ AND UNDERSTAND THE EXTENDED WARRANTY OR SOMEONE HAS READ AND EXPLAINED ALL THE ABOVE TO ME. I UNDERSTAND THIS EXTENDED WARRANTY DOES NOT COVER ANY LABOR. I HAVE FILED MY ORIGINAL WARRANTY REGISTRATION AND FULLY UNDERSTAND MY REQUIREMENTS. ***I UNDERSTAND THAT I ALONE AM RESPONSIBLE FOR PROPER MAINTENANCE, CARE AND SAFE OPERATION OF THIS TRACTOR IMPLEMENT.***

OWNERS SIGNATURE: x _____ DATE: ____/____/____

YOU MUST SIGN THIS WARRANTY AND MAIL OR FAX A COPY TO BETSTCO, 83371 MELTON RD, CRESWELL OR. IF YOU PREFER YOU MAY COMPLETE YOUR REGISTRATION ONLINE AT WWW.VALUE-LEADER.COM. THIS WARRANTY IS NOT EFFECTIVE UNLESS PURCHASER COMPLETE REGISTRATION AND WARRANTY FOR WITHIN 30 DAYS OF PURCHASE OR SHIP DATE WHICHEVER IS LATER.

NOTE: WE MAY REFUSE WARRANTY OF ANY KIND UNLESS BETSTCO, RECEIVES A COMPLETED, LEGIBLE AND SIGNED WARRANTY REGISTRATION. IT IS THE RESPONSIBILITY OF THE PURCHASER TO ASSURE THAT REGISTRATION DOCUMENT IS RECIEVED BY BETSTCO.